

Company name:

Date:

Project:

Name:

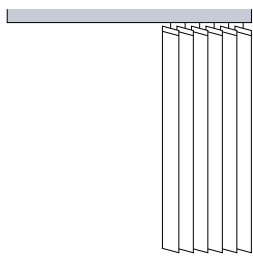
Tel. / Fax:

E-mail:

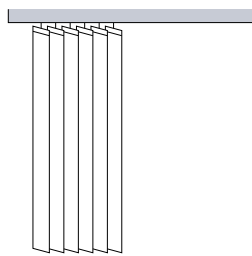
Address for delivery:

Blinds rails (maximum load to be supported by the rail: 16 kg / 12 m²)

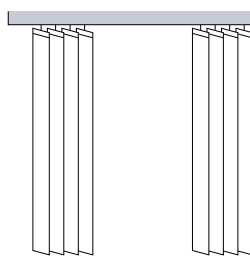
Type of opening



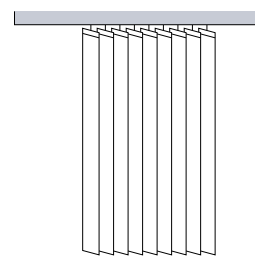
Right side



Left side



Both sides



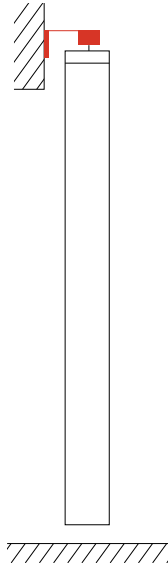
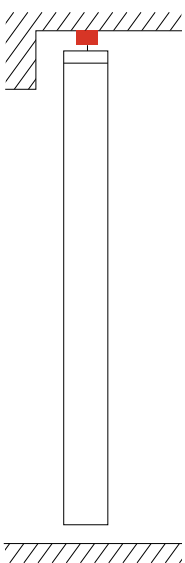
Central

Mode de fixation

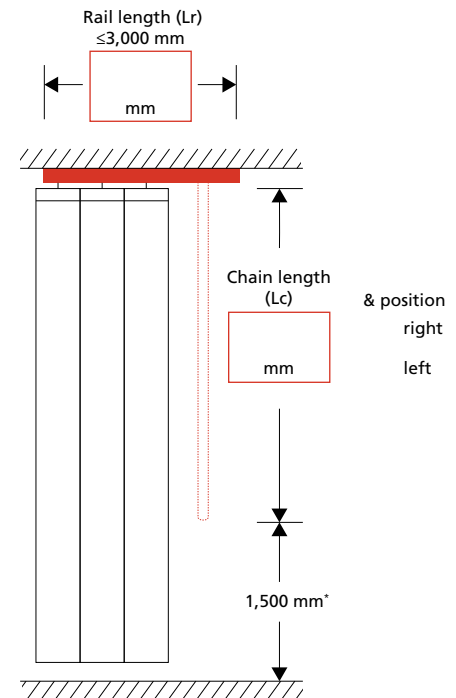
To the ceiling

or

To the wall



Rail length (Lr) and tilt chain length (Lc)



* The bottom of the chain must hang 1,500 mm above the floor in application of standard EN13120 concerning child safety.

Company name:

Date:

Project:

Name:

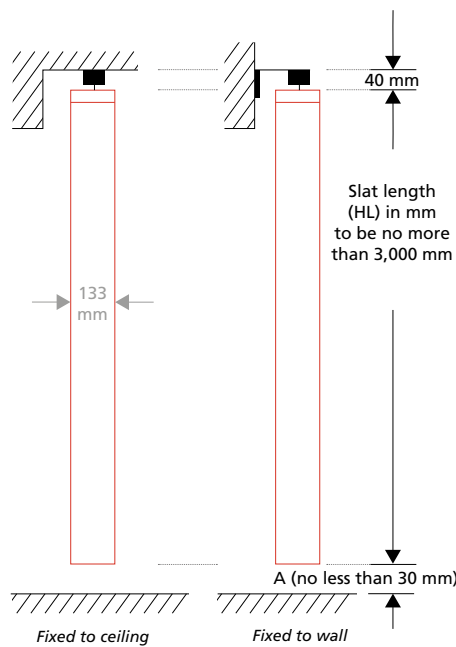
Tel. / Fax:

E-mail:

Address for delivery:

Blind slats

Dimensions and colours



Hl (mm) Colour (MR)

Number

Hl (mm)	Colour (MR)	Number

A =